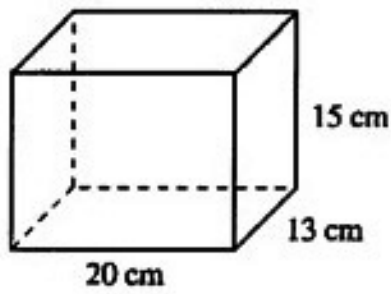
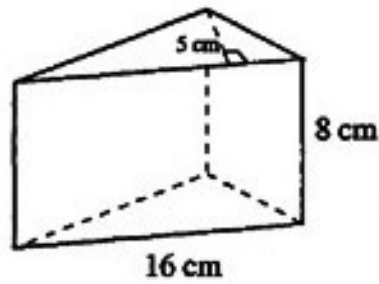


Find the volume of each of the following

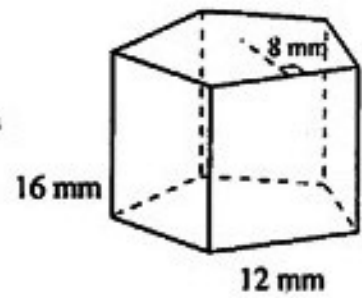
1.



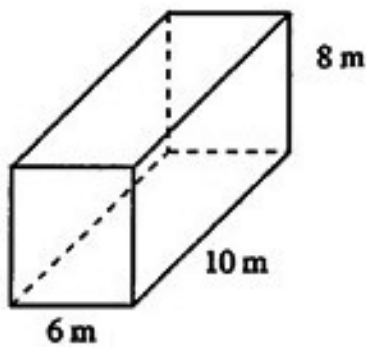
2.



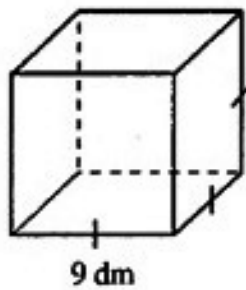
3.



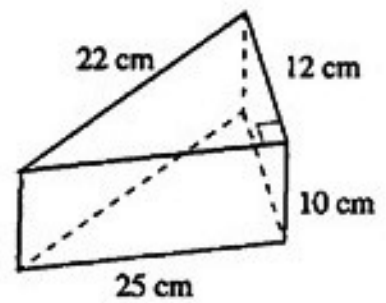
4.



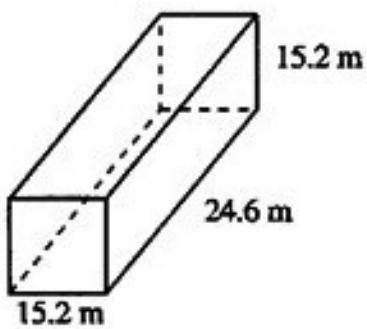
5.



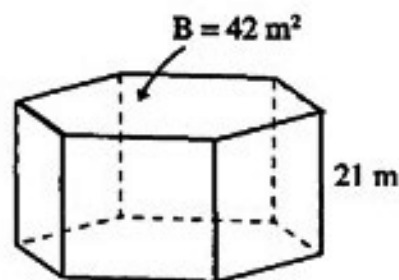
6.



7.



8.



9.

